

Dehumidifier

RECUSORB R-060BR



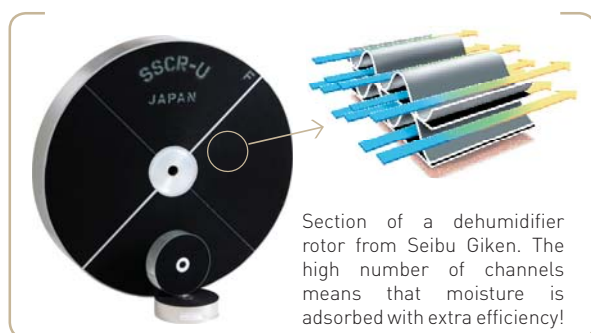
Dehumidifying capacity at 20°C / 60%RH

4.6 kg/h

Dry air flow

1000 m³/h

- ↳ Built-in heat recovery
- ↳ Low dry air temperature
- ↳ Long lifetime
- ↳ Washable rotor
- ↳ No desiccant carry-over
- ↳ Stainless steel chassis

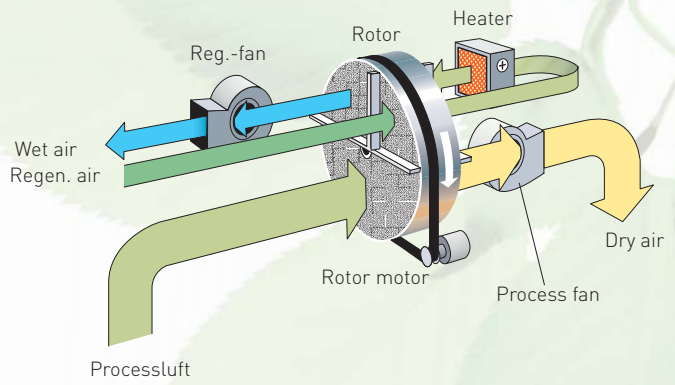


Section of a dehumidifier rotor from Seibu Giken. The high number of channels means that moisture is adsorbed with extra efficiency!



TECHNICAL DATA

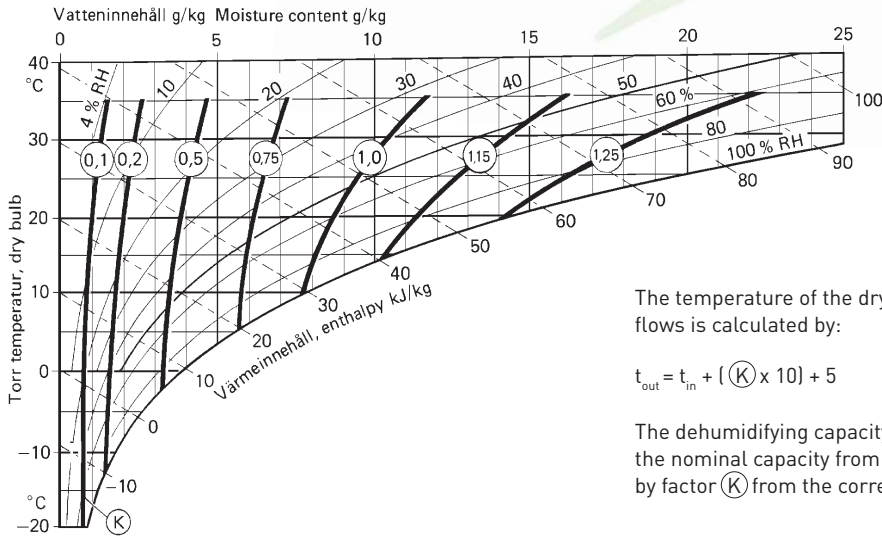
Dehumidifier model	R - 060BR
Nominal capacity ¹ (kg/h)	4.6
Dry air flow ² (m ³ /h)	1000
Static pressure at disposal	200
Wet air flow ² (m ³ /h)	250
Static pressure at disposal	50
Heater power (kW)	6
Maximum electric consumption (kW)	6.4
Supply fuse 3 x 230/400V 50Hz, [A]	25 /16
Weight (kg)	63



¹ Valid for inlet conditions 20°C/ 60%RH. For other inlet conditions the capacity can be calculated by using the correction factor from the diagram shown below

² Volume flow for density 1.20 kg/m³.

CORRECTION DIAGRAM

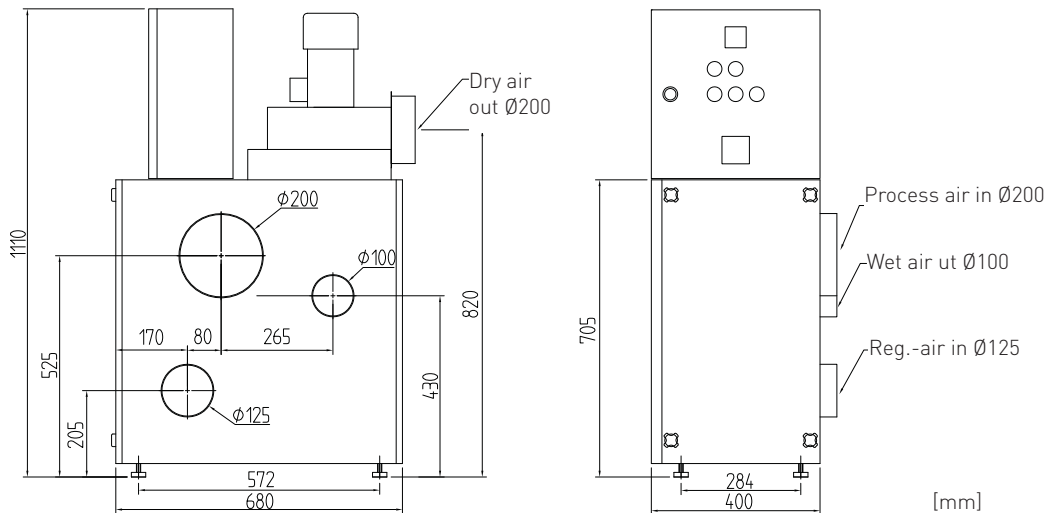


The temperature of the dry air at nominal air flows is calculated by:

$$t_{out} = t_{in} + [(K) \times 10] + 5$$

The dehumidifying capacity is estimated as the nominal capacity from above, multiplied by factor (K) from the correction diagram.

DIMENSIONS



Subject to change without notice. Download installation drawing at www.dst-sg.com