

Dehumidifier Consorb DC-5



Dehumidifying capacity at 20°C / 60%RH

0.5 kg/h

Dry air flow

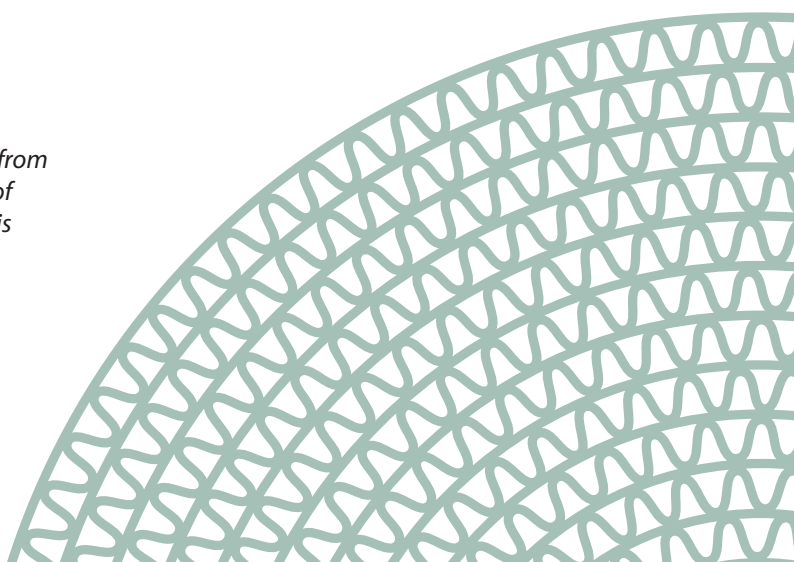
120 m³/h

- Wide temperature range: -20°C to +55°C
- Easy to place
- Low weight
- Washable rotor
- No desiccant carry-over
- Stainless steel chassis
- Self-regulating heater
- Easy to maintain
- Long lifetime



Section of a dehumidifier rotor from Seibu Giken. The high number of channels means that moisture is adsorbed with extra efficiency.

World leaders in dehumidification.

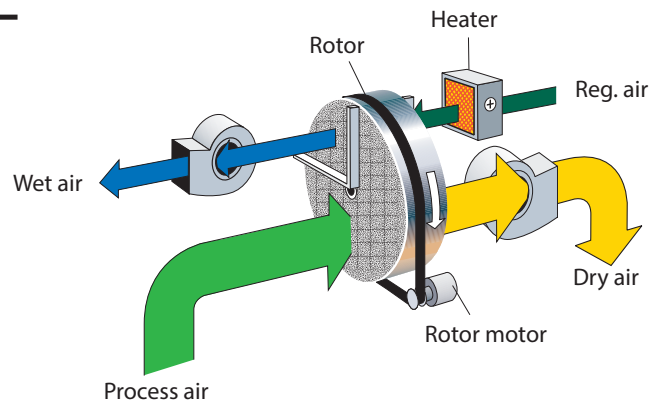


TECHNICAL DATA

Dehumidifier model	DC-5
Nominal capacity ¹ (kg/h)	0.5
Dry air flow ² (m ³ /h)	120
at external static pressure (Pa)	50
Wet air flow ² (m ³ /h)	40
at external static pressure (Pa)	30
Heater current ³ [A]	4.4
Total power (kW)	1.1
Supply fuse 230V / 50Hz (A)	10
Weight (kg)	10

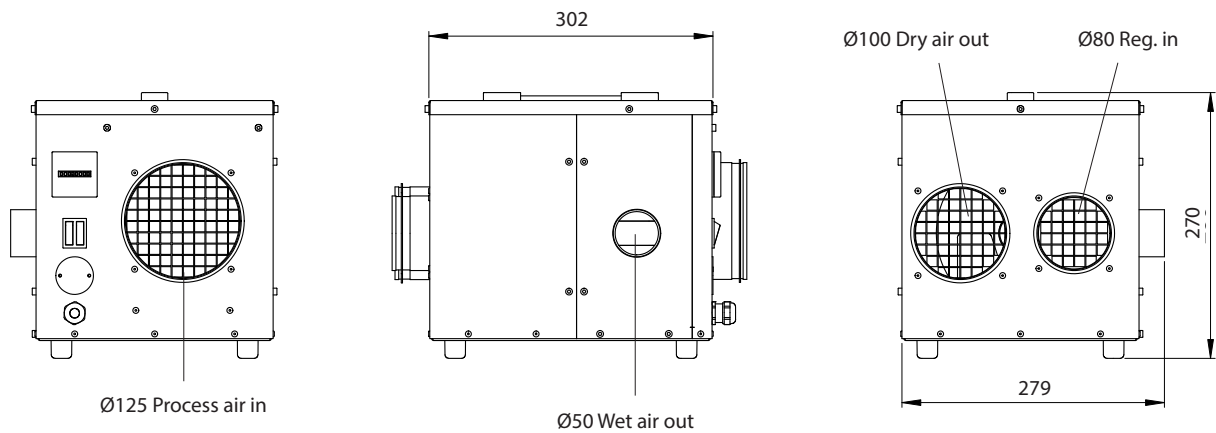
1. Valid for inlet conditions 20°C / 60%RH.
2. Volume flow for density 1.20 kg/m³.
3. The design of the PTC heater enables the power to be regulated by controlling the wet air flow.

PRINCIPLE



DIMENSIONS

Subject to change without notice. Download installation drawing at www.dst-sg.com



[mm]

Updated 18.12



Sweden | +46 8 445 77 20
info@dst-sg.com | www.dst-sg.com